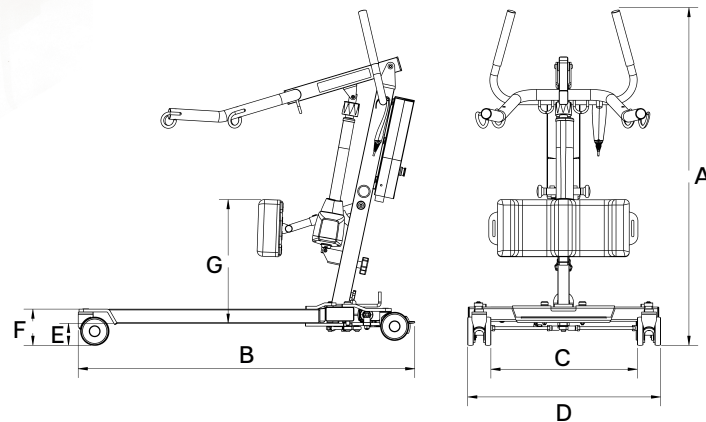


# SA180E



### Weights and dimensions

SWL	:	180 kg
Unit weight	:	47 kg
Base weight	:	23 kg
Mast & boom weight	:	24 kg
A (height)	:	1,145 – 1,685 mm
B (length)	:	1,190 mm
C (internal width)	:	540 – 1,100 mm
D (external width)	:	680 – 1,050 mm
E (ground clearance)	:	33 mm
F (under bed clearance)	:	112 mm
G (Kneepad height)	:	430 – 555 mm
Turning circle	:	1,230 mm
Castor size	:	100 mm



### Details

Product code	:	1301SA-ESS180
Drawing number	:	107650
GS1 code	:	5056408920315
Warranty	:	1 year
Sling connection	:	Looped
Lift	:	Electric (LA44 – 10 kN)
Leg opening	:	Manual
Hand controls	:	Wired electric hooked handset
Control box	:	Standard (no screen)
Foot tray	:	Removable (5.5 kg)
Duty cycle	:	15% use, 85% rest
Battery	:	24 V SLA, 2.9 Ah
Charging time	:	8 hours
Lifts per charge	:	30
IP rating (controls)	:	IPX4
IP rating (battery)	:	IPX5
Material	:	Powdercoated steel, PU foam, vinyl PVC

### Standards

ISO 10535:2006  
IEC 62366-1:2015  
EN ISO 15223-1:2016  
IEC 60601-1:2012  
IEC 60601-2:2014

This product is CE marked and complies with EU MDR 2017/745

### Contact

Unit 4 Jubilee Way  
Grange Moor  
Wakefield  
United Kingdom  
WF4 4TD

+44 (0)1924 840100  
info@prismmedical.co.uk

