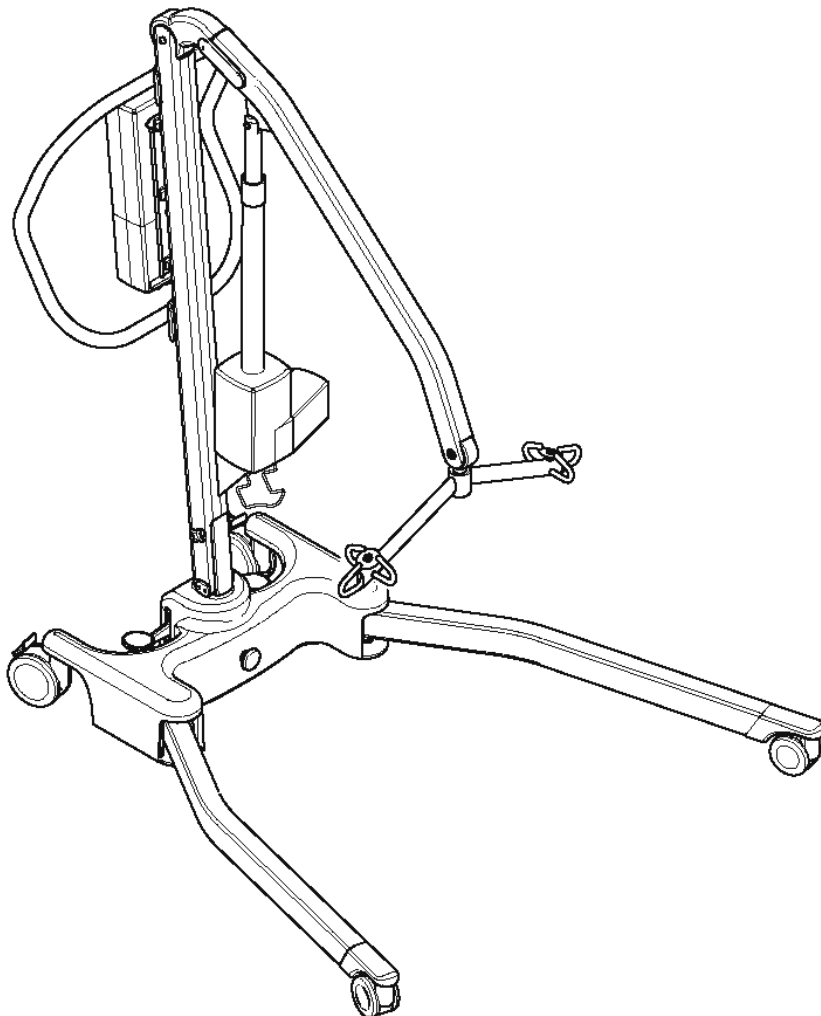


Parts Manual

Oxford® Advance



NO	PART NUMBER	DESCRIPTION	QTY
1	0Y0066	100mm rear castor (braked)	2
2	0Y0109	75mm front castor (non-braked)	2
3	0Y0033	Mast extrusion (inc. labels)	1
4	0Y0034	Boom extrusion (inc. boom end caps and labels, except product name decal)	1
5	0Y0035	Push handle assembly (inc. fixings)	1
6	0Y0036	Casted boom to mast pivot joint (inc. connection bolts/fixings/spacers)	1
7	0Y0037	Spreader bar assembly complete (6-point)	1
8	0Y0309	Spreader bar / cradle quick release pin kit	1
9	0Y0379	Spreader bar washer and o-ring spares kit	1
10	0Y0038	Base assembly (inc. base casting, bottom plate, welded post & labels, not internal parts - excluding fixings)	1
11	0Y0039	Left leg extrusion (inc. fixings)	1
12	0Y0040	Right leg extrusion (inc. fixings)	1
13	39001167	Control box (Smart™ Monitor)	1
	0Y0110	Control box (Standard)	1
14	11012180	Battery pack	1
15	39001202	User handset (Smart™ Monitor only)	1
	0Y0111	User handset (Standard control box)	1
-	39001179	Calibration handset (Smart™ Monitor only) (not shown)	1
-	39001178	Actuator reset handset (Smart™ Monitor only) (not shown)	1
16	39001183	Charger and stand assembly (with UK charger lead)	1
17	11012183	Charger lead (UK)	1
18	11012184	Charger lead (EU)	1
19	0Y0031	Actuator - 350mm stroke (inc. location pins, sleeves, washers, circlips and labels)	1
20	0Y0069	Battery and controller bracket (inc. fixings)	1
21	0Y0041	Foot pedal mechanism complete	1
22	0Y0042	Foot push pad assembly complete	2
23	0Y0108	Boom to mast pivot plastic caps	2
24	0Y0045	Front castor leg inserts including fixings (plastic)	2
25	0Y0046	Knob kit (inc. mast tightening knob, elastic leg restraint and leg disengage handle)	1
26	0Y0047	Fixings kit (all bolts, screws and fixings)	1
27	0Y0149	Actuator fixing kit	1
28	0Y0729	Boom end plastic cap	1
-	0Y0128	Castor tightening wrench	1
-	0Y0043	Decal set (exc. serial number labels) (not shown)	1
-	0Y0070	Handset clip (not shown)	2
-	808003.10013	Sling retainer assembly (not shown)	2

