

90329 RS2 Lite Patient Transfer Assist User Manual



General:

The RS2 Patient Transfer Assist has been tested to the relevant European test standards & has been issued with a CE Declaration of Conformity.

This product has been tested to BS EN 12182: 2012 and conforms to all relevant test procedures.

Conditions of Use: Transferring a person may pose an element of risk. Please use a risk assessment and/or consult with your manual handling lead/back care advisor if you are unsure of correct manual handling techniques.

Persons using this equipment should be appropriately trained.

This product has a warranty period of 24 months from date of purchase.

Risk Assessment:

- Always complete an individual risk assessment and ensure the RS2 Patient Transfer Assist has been tested with the user and for the intended transfer.

You as the carer are responsible for the safety of the user. Only service technicians are permitted to carry out repairs.

- The RS2 Patient Transfer Assist is a sit to stand transfer aid for use indoors on flat surfaces.

A safe transfer distance (from point A to point B) should be determined during your risk assessment. We recommend that you do not use to transfer a person over a raised threshold or over uneven surfaces. It is recommended that a ladder belt or harness is used for all transfers between point A and point B.

Labels and Symbols:

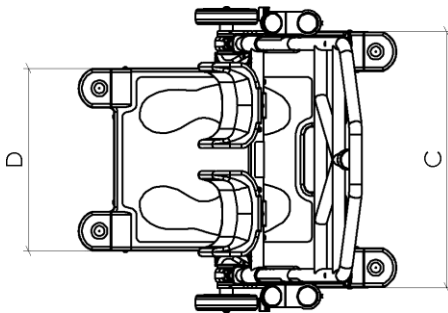
- The RS2 Patient Transfer Assist label contains: Serial Number, Batch (Year, Month, Day), Symbols CE marked and Max User Weight.
- The belt labels contain: Washing temperature.

Description of Parts



1. Handle
2. Upper Frame
3. Lower Frame Tube R/H
4. Lower Leg Support
5. Star Handle
6. Base Plate
7. Castors
8. Wheels
9. Brake Pedal
10. Product Labels
11. Position Marker
12. Foot Position Plate
13. Ladder Belt Anchors
14. Harness Anchor
15. Adjustment Tape
16. Lower Frame Tube L/H
17. Lower Frame Mount

Technical Data:



Safe Working Load (SWL):

160Kg (350lbs)

Weight of Unit:

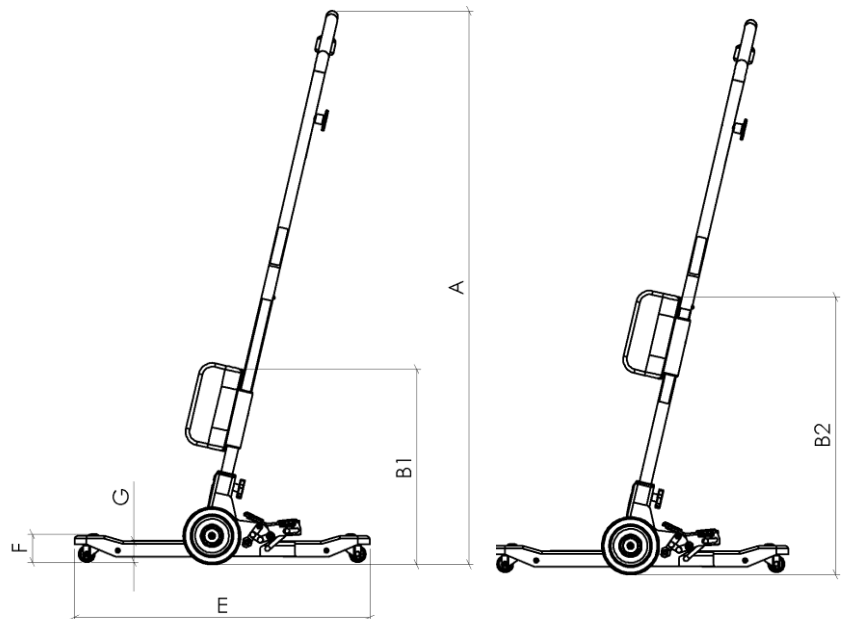
14.5Kgs

Material:

Powder Coated Aluminium, plastic, steel

Expected Lifetime:

The RS2 Patient Transfer Assist has an expected lifetime of 5 years or 15000 transport cycles.



Height (A):	1187mm	Height (B):	418 - 594mm
Depth (C):	509mm	Depth (E):	633mm
Width (D):	363mm	Step in height (G):	45mm
Clearance (F):	60mm		

Assembly Instructions

1 Carefully remove all of the parts from the packaging.

2 Put the base on a level surface, activate the locking brake to prevent the base from moving during assembly.



3 Place each lower frame tube into the lower frame mounts, making sure that the numbered side of the tube is facing outwards.



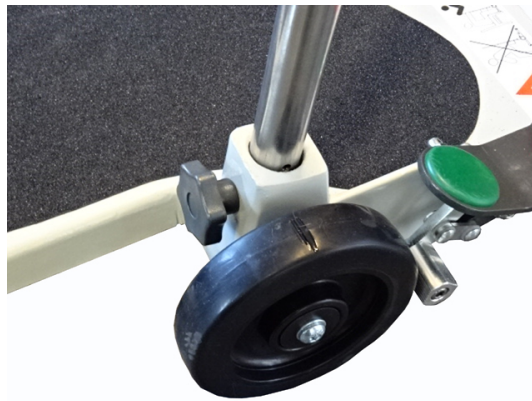
4 Position the lower frame tubes into the base plate mount.



5 Place a star wheel handle into the hole in the front of each lower frame mount.



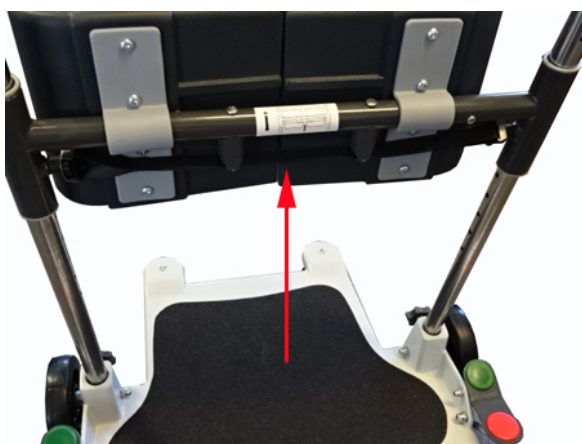
- 6** Firmly screw a star handle into the lower frame tube until the left/right lower frame is secure. Repeat for the opposite side.



- 7** When both sides of the lower leg frame are securely fastened to the base, position the lower leg support assembly over the top of the tubes.



- 8** Pull the adjustment tape upwards to release the internal pins. This will allow the lower leg support to move down the tube until the pins reach the first positioning hole.



- 9** Move the lower leg support to the height level required for the user by pulling the adjustment tape upwards until the lower leg support reaches the correct position, as shown by the numbers on the outside of the tube.



10

Attach the upper frame to the lower frame, ensuring the spring pin clicks into place to secure the upper and lower sections.



11

Unlock the brakes on the baseplate.
The unit is now ready for use.

Instructions for Use

1. Ensure the environment is safe for the transfer to take place. When satisfied, position the Patient Transfer Assist in front of the service user.
2. Ensure the user's feet are placed on the base plate, using the foot markers as a guide. The lower legs should be in a comfortable position, cushioned by the lower leg supports. To facilitate a comfortable position, adjust the height of the lower leg supports so the upper most part is approximately two inches below the service user's knees.
3. Once you are certain that the RS2 Patient Transfer Assist is positioned correctly, lock both wheels by pressing down on one brake pedal. Both wheels will lock regardless of which side you step on.
NB: The wheels must always be locked when the user stands up and sits down!
4. If the user requires assistance to stand using the ladder belt or harness, position this around the service user safely.
 - a. Place the ladder belt behind the service user, with the non-slip material against the body and the lowest edge resting on the cushion of the chair.
 - b. If using the harness, position the lower portion just underneath the service user and the upper portion against the lower back. Then, fasten using the clasp.
5. If you are using the ladder belt to assist the transfer, secure it to one side of the frame by placing the desired ladder section over the ladder belt anchor.
6. Ask the user to grasp the frame in a comfortable position. The user can hold any part of the handles. Users with use of only one arm/hand can hold on using the central handles.

7. If assisting the user to stand using the ladder belt, get ready in a stable and safe starting position. Place your nearside hand on the top of the RS2 Patient Transfer Assist and hold the handle of the ladder belt with your other hand. Maintain a good posture with a straight back.
NB: Use your risk assessment and/or consult with your manual handling lead/back care adviser if you are unsure of correct manual handling techniques.
8. When you and the user are both ready, encourage them to stand up on your count. Gradually transfer your weight in unison, maintain tension on the ladder belt and assist the user to stand. Maintain eye contact and communicate clearly.
NB: When using the RS2 Patient Transfer Assist, a counter balance must be applied during each phase of the sit to stand/stand to sit transfer. Your method for applying a counter balance may vary i.e. through use of the ladder belt, by placing a foot on the footplate and bracing the frame, or by supporting the service user in a traditional method. Your method of applying a counter balance should be reviewed and agreed during your risk assessment.
9. When the user is standing, secure the ladder belt to the ladder belt anchor on the opposite side, or on the central post when using the harness.
10. Release the brake pedal with one foot.
11. Check the surroundings and safely manoeuvre the RS2 Patient Transfer Assist to point B. The transfer from point A to point B is best achieved with the user facing the direction of travel.
12. Apply the brake.
13. Check the surroundings again and prepare for a safe, stand to sit transfer.
14. With the user holding on to the frame, unhook the ladder belt or harness.
15. Ask the user to sit down safely. When aiding a transfer using the ladder belt ensure you are in a stable and safe starting position with your near side hand securely holding the frame. Encourage the user to begin sitting with gradual assistance. It can be useful for the care giver to step forwards in unison as the user lowers into the seated position. Continue to provide the necessary level of support through the ladder belt during the transfer.
NB: Remember that a counter balance must be applied during each phase of the transfer. Your method for applying a counter balance may vary i.e. through use of the ladder belt, by placing a foot on the footplate and bracing the frame, or by supporting the user in a traditional method. Your method of applying a counter balance should be reviewed and agreed during your risk assessment.

This RS2 Patient Transfer Assist has been designed for use with single or multiple carers. However, it is important that a risk assessment is carried out prior to use. In each individual case assess the risks and take notes. Evaluate the person's ability to use the product and where required use suitable accessories or another product

When using with two carers, follow the steps as above. The second person can then support the user as required.

A safe transfer distance (from point A to point B) should be determined during your risk assessment. We recommend that you do not use to transfer a person over a raised threshold or over uneven surfaces. It is recommended that a ladder belt or harness is used for all transfers between point A and point B.

Maintenance:

The frame will require an occasional wipe with a soft cloth, using a general purpose neutral detergent along with warm water.

Warranty:

The RS2 Patient Transfer Assist is supplied with a 24 month manufacturer's warranty for manufacturing defects. This warranty does not include accidental damage, damage caused by misuse and/or normal wear & tear.