



Moving Health Forward



## Specialist Seating Product Range

**Specialist Seating**

**Riser Recliners**

# Contents

- 3 Welcome
- 4 Our Brands
- 6 Our History

## Specialist Seating Product Range

- 8 Duo Range
- 9 G-2
- 10 Florien Elite
- 11 Florien Fife
- 12 Florien II
- 13 Encora
- 14 Omega
- 15 Stirling
- 16 Wendover Advance
- 17 Chatsworth Advance

## Upholstery Fabrics

- 18 Direct Upholstery Fabrics
- 19 Loose Cover Fabrics
- 20 Rise Recliner Domestic Fabrics
- 24 Dartex

## Technical Specifications

- 25 Duo Major/Minor
- 26 G-2
- 27 Florien Elite, Florien Fife & Florien II
- 28 Encora & Omega
- 29 Stirling
- 30 Wendover Advance & Chatsworth Advance

# Welcome

## Vision

To advance the health of individuals with affected movement, utilising innovative and proven ways to enhance the certainty of care needed today and the care we plan to provide for tomorrow.

## Mission

DHG constantly support our healthcare partners, and the people whose healthcare needs they serve, by providing solutions that improve the vital connections between movement and health. All leading to the best recovery outcomes and healthy independence in daily living.

## Our Story

DHG is a global medical device company that supports efforts to move health forward by delivering innovative and leading solutions for individuals whose lives are impacted by reduced movement.

We strive to constantly support our healthcare partners, and the people whose healthcare needs they serve, working to keep improving the vital connections between movement and health, enabling accelerated recovery and healthy independence in daily living.

At DHG, we are passionate to work in close collaboration with healthcare professionals to enhance outcomes, lower the cost of healthcare, deliver efficiencies, and expand access to our solutions.



Moving Health Forward

## Our Brands



### Pressure Ulcer Prevention

DHG specialises in the manufacturing of pressure ulcer prevention solutions with a comprehensive portfolio of innovative, award-winning products including mattresses, cushions and overlays.

With significant experience in the provision of clinically proven, value for money solutions, customers benefit from a combination of innovative pressure care technologies, designed in partnership with leading clinical and healthcare establishments.

In 2016, Direct Healthcare Services' Intelligent Pressure Care Management won the prestigious Queen's Award for Enterprise in Innovation following the introduction of the Dyna-Form® Mercury Advance; a keystone hybrid mattress.



### Safe Moving & Handling

DHG's SystemRoMedic range has extensive heritage in the safe movement and handling of users across the spectrum of care environments. Providing solutions for lifting systems and manual transfer aids, the SystemRoMedic portfolio enables safer working ergonomics for the carer, whilst providing clinical effectiveness for the user. The clinical focus of the SystemRoMedic looks to release more time back to care by providing a highly-experienced, trained moving & handling team who can assess for the most appropriate moving, handling, specialist seating, in-bed or out-of-bed solution to provide effective care.



### Specialist Therapies

DHG Specialist Therapies portfolio offers advanced technologies for use with avoidable harms.

Our Negative Pressure Wound Therapy (NPWT) offers intuitive, simple-to-use, cost effective solutions for the accelerated healing of chronic wounds.

With the knowledge that Venous Thromboembolism (VTE) is a global, life-threatening issue, DHG offer Intermittent Pneumatic Compression (IPC) solutions for use in the prevention of Pulmonary Embolism.



## Bathroom Safety

Renowned for more than 80 years, DHG's Linido bathroom safety solutions provide increased independence, safety and comfort in bathrooms, showers and toilet areas across private and public environments, as well as in hospitals. DHG offers a wide range of safe, practical, durable and ergonomic aids with modern design; creating accessible, safe and aesthetic bathrooms.

Our bathroom safety products are extensively tested for their functionality, including safety testing as well as ergonomic use and comfort, to ensure to comfort of safety every day.

The complete range provide users in any bathroom or toilet situation with as much autonomy as possible.



## Rental & Service Solutions

Through DHG's Nightingale brand, we have over 20 years' experience in ad-hoc or contracted rental and servicing solutions that enable a focus on patient care across any operational budget. We offer a 24/7/365 rental service providing a range of pressure area care solutions, beds for acute and community environments, safe moving & handling equipment, specialist seating, and bariatric care equipment; ensuring that your patient receives the right care at the right time. To facilitate easier choice, we have designed a number of packages focusing on early discharge, single-handed care, rehabilitation, or capacity pressures.

With a network of nationwide, ISO 13485 accredited rental and service centres, we work closely with healthcare professionals to ensure our solutions are reliable, safe and effective. Our solutions are delivered by a highly experienced Technical Service team, who will provide on-site support and training during the delivery process.

Our ProServe® Service Solutions provide ISO 13485 compliant servicing options for the wide range of products your hospital or equipment service have on site. We offer a range of technical service packages designed to suit the needs of our customers in today's ever changing healthcare environment.

As a global total solutions provider, DHG are acutely aware that for equipment to be used to its full potential, those using it must have an understanding of everything a piece of equipment can do and how it should be used. The Ethos Education programme underpins this belief by providing 6 CPD accredited training modules, designed to develop knowledge and skills whilst simultaneously enabling the enhancement of quality and safety of care. The Ethos Education Programme is available free of charge for healthcare professionals.

**ēthos**  
EDUCATION PROGRAMME

# Our History



### Sunday Times Fast Track 100

DHS recognised as the 17th fastest growing business in the UK, attributed to an innovation approach in supporting NHS Trusts.

### Innovative New Product Design Award

The Static Air HZ wins the New Product Award at the Insider Media Business and Education Partnership Awards.

### Intelligent Academy

Accredited training provider.

Asia Pacific offices opened in Perth, Australia



2009

2013

2014

2015

2016

### Direct Healthcare Services founded

Designing and manufacturing 'best value' pressure area care solutions.



### NHS Collaboration Award

Recognised by MediWales for the Dyna-Form® Static Air HZ mattress which conforms to a profiling bed with no loss of mattress length to avoid the problem of heel pressure ulcers.

Nightingale, a leading bariatric solutions provider, becomes part of the DHG.

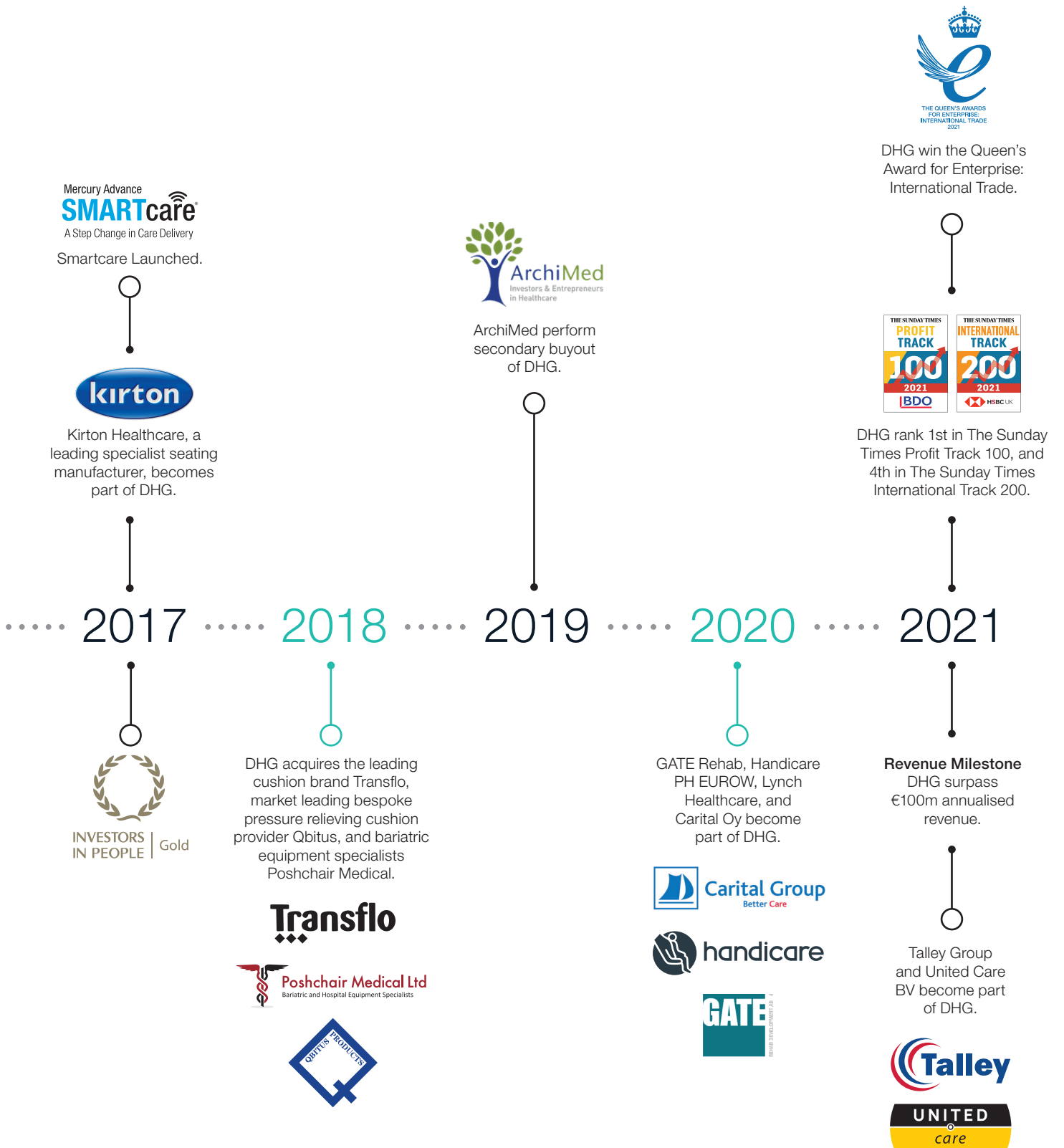


DHS announces partnership with the Welsh Wound Innovation Centre, a global centre of excellence in wound prevention and treatment.



Intelligent Pressure Care Management® wins Queen's Award for Innovation.







## Duo Range

**Product Code:** Duo Major – SEA0211001  
 Duo Minor – SEA0311001  
 Duo Mini – SEA0411001

**SWL:** Major/Minor – 160kg/25 stone, Mini – 57kg/9 stone

**The Duo family of multi-positioning seating systems comprises the Duo Major, Duo Minor and Duo Mini.**

Their dynamic features provide the ultimate in positioning and postural management for those who are at risk of developing an unconventional body shape, unable to maintain a midline position and require additional support.

The adjustability of the Duo range ensures the core principles of seating are met in terms of correct seat height, seat depth, seat width, arm height and back height combined with key features like headrest angle adjustment, back angle recline, tilt-in-space and legrest elevation to create a supportive, yet comfortable seating solution.

Pressure relief can be integrated into the Duo chairs including the Intelligent Air integral cushion for those at Very High Risk or with a Grade IV pressure injury. Alternatively the Duo enables the user to integrate their own pressure relieving cushion into the seat module of the chair or apply it to a flat seat board upon which it can be effectively used.



Manual



Powered



Regulated Motion



Tilt-in-Space



Back Angle Recline



Articulating Legrest



Seat Height Adjustment\*

## PRODUCT DESCRIPTION

### Features & Benefits

- Three chair sizes: Major, Minor and Mini
- Adjustable seat length, seat width, seat height\*, back height, foot board and arm height
- Simple, tool-free adjustments
- Tilt-in-space action – Manual, Powered or Regulated Motion
- Articulating legrest – Manual or Powered
- Articulating legrest action – does not compromise footboard positioning
- Split-wing shoulder support for adjustable support of the head and shoulders
- Adjustable headrest for precise positioning of the head
- Two back style options: Waterfall or Sculpted
- Multi-directional stretch, breathable Dartex fabric on all user contact surfaces
- Easy-to-use handset on Powered and Regulated Motion models
- Push handle
- Strong, durable 100mm single wheels, rear braked
- Modular construction enables easy refurbishment

### Accessories

- Lateral supports
- Leg laterals
- Pommel
- Negative angle legrest
- Flat seat board
- Foot sandals
- Ankle huggers
- Lap-belt with D-ring straps
- Pelvic positioner with D-ring straps
- Universal mobile tray

### Pressure Relieving Seat Modules (Integral)

- Reflexion™ foam
- Dyna-Tek® Intelligent Air

\*Available in Powered and Regulated Motion only.



# G-2

**Product Code:** SEA0111001

**SWL:** 180kg/28 stone

**Representing a new generation of dynamic specialist chairs and underpinned by scientific bio-mechanical research and ergonomic design principles, the G-2 is an uncomplicated yet sophisticated dynamic tilt-in-space chair.**

Providing superior postural support, exceptional positioning and outstanding comfort and pressure management, this stylish chair has been designed to ensure that all the adjustments are simple and effective to meet the needs of carers as well as semi- and non-ambulant users in a wide variety of care environments. From the fluidity of the tilt-in-space movement, the sweep of the arcing legrest through to the unique helical-motion of the lateral supports and the articulation of the anatomically moulded backrest, the G-2 achieves new levels of support and positioning, immersion and comfort.



Manual



Powered



Regulated Motion



Tilt-in-Space



Articulating Legrest

## PRODUCT DESCRIPTION

### Features & Benefits

- Tilt-in-space action – Manual, Powered or Regulated Motion
- Articulating legrest – Manual or Powered
- Articulating legrest action – does not compromise footboard positioning
- Adjustable footboard height and angle
- Built-in, helical-motion lateral supports to stabilise the pelvis
- Evidence-based articulating, supportive backrest
- Immersive comfort in seat and backrest aiding pressure management
- Adjustable seat depth
- Multi-directional stretch, breathable Dartex material on all user contact surfaces
- Good hoist access
- Modular construction enables easy refurbishment
- Two wheel options: 100mm wheels, braked at rear and Large Wheel version available with 315mm rear wheels with brake bar (400/450 widths only). Directional lock castors available on request

### Accessories

- Negative angle legrest
- Choice of headrest
- Leg laterals
- Laminated tray with straps
- Headcap
- Lap-belt with D-ring straps
- Pelvic positioner with D-ring straps

### Pressure Relieving Seat Modules (Integral)

- Reflexion™ foam
- Dyna-Tek® Intelligent Air

# Florien Elite

**Product Code:** SEA0910001

**SWL:** 160kg/25 stone

**With dynamic adjustability, exceptional comfort, postural support and pressure care management, the Florien Elite is an ideal chair for ambulant, semi-ambulant and non-ambulant users as well as in multi-user environments.**

With both tilt-in-space and back angle recline functionality, the Florien Elite also has a choice of two backrests, Waterfall or Contoured, to meet the needs of different care settings. The unique, dynamic upholstered arms float across the seat to achieve appropriate seat width for each user. Moreover, these arms have the ability to swivel backwards to effect a side transfer or easier hoist access.



Manual



Tilt-in-Space



Back Angle Recline



Articulating Legrest

## PRODUCT DESCRIPTION

### Features & Benefits

- Manual tilt-in-space with independent back angle recline
- Manual elevating legrest with negative retraction to aid standing transfers and accommodate contractures
- Removable, swivel-back armrests for side transfer and easier hoist access
- Multi-positioning integral headrest
- Adjustable seat width and seat length
- Adjustable seat height (specified at time of manufacture)
- Choice of sculpted contoured or immersive waterfall backrest
- Ergonomic push handle
- Simple replacement of modular components
- Reflexion foam upholstered in multi-stretch, breathable Dartex on all user contact surfaces
- No Velcro used
- 100mm castors, braked at rear. Directional lock castors available on request

### Accessories

- Lateral supports
- Elevating/Articulating legrest
- Height adjustable, flip-up footrest (90° foot positioning) or height adjustable, articulating footrest (plantar flexion achievable)
- Lap-belt with D-ring straps
- Pelvic positioner with D-ring straps
- Universal tray

### Pressure Relieving Seat Modules (Integral)

- Reflexion™ foam
- Dyna-Flex® foam
- Dyna-Tek® Posture Visco
- Dyna-Tek® Intelligent Air

# Florien Fife

**Product Code:** SEA0810001

**SWL:** 180kg/28 stone

**The Florien Fife is a manual, dynamic tilt-in-space chair suitable for semi- and non-ambulant users who require assistance with maintaining their seating position and posture.**

This highly configurable, modular chair has a ramped seat angle enabling a good seated position to be achieved and maintained alongside a negative angle legrest to either accommodate those with contractures or those that are able to independently transfer in or out of the chair.

The Waterfall backrest provides an immersive cushioned support which has proved effective for those with a more kyphotic posture.

The Florien Fife offers dynamic movement for the user and is highly mobile for the carer with effective hoist access by the removal of the arm modules.



Manual



Tilt-in-Space



Elevating Legrest

## PRODUCT DESCRIPTION

### Features & Benefits

- Manual tilt-in-space action
- Manual legrest elevation
- 25° negative angle legrest – accommodates contractures at the knee or aids standing transfers
- Ramped seat module
- Removable arms for easier hoist access and side transfers
- Three seat length options: 435mm, 460mm, 485mm (to be set at time of manufacture)
- Three seat widths: 400mm, 450mm, 500mm (determined by armrest width)
- Multi-positioning, integral armrest
- Ergonomically positioned push handle
- Waterfall backrest
- Height adjustable, flip-up footrest
- Fixing plates for pelvic positioners
- 100mm wheels, braked at rear

### Accessories

- Flat seat board with built-in 60mm ramp at front
- Infill arm blocks
- Lateral supports
- Seat infill block
- Universal headrest
- Lap-belt with D-ring straps
- Pelvic positioner with D-ring straps
- Laminated tray with straps
- Universal mobile tray

### Pressure Relieving Seat Modules (Integral)

- Reflexion™ foam
- Dyna-Tek® Intelligent Air



Manual



Tilt-in-Space



Elevating Legrest

# Florien II

**Product Code:** SEA0711001

**SWL:** 180kg/28 stone

**A dynamic and highly mobile seating system, the Florien II enables greater independence by promoting correct posture and facilitating a supportive, comfortable seated position.**

Unique features including an ergonomically moulded backrest and modern styling make this an excellent solution for a wide variety of users and environments.

The removable arm rest is an ideal feature for users who are hoisted or able to side transfer.

The modularity of the Florien II enables simple replacement parts for re-issue to new users, making it a cost effective seating solution and valuable asset for care providers.

## PRODUCT DESCRIPTION

### Features & Benefits

- Manual tilt-in-space action
- Manual legrest elevation
- 25° negative angle legrest – accommodates contractures at the knee or aids standing transfers
- Removable arms for easier hoist access and side transfers
- Three seat length options: 435mm, 460mm, 485mm (to be specified at time of manufacture)
- Three seat width options: 400mm, 450mm, 500mm (determined by armrest width)
- Multi-positioning, integral headrest
- Comfortable moulded backrest
- Ergonomically positioned push handle
- Two wheel options: 100mm wheels, braked at rear and Large Wheel version available with 315mm rear wheels with brake bar. Directional lock castors available on request

### Accessories

- Height adjustable flip-up footrest
- Adjustable lateral supports
- Adjustable headrest
- Lap-belt with D-ring straps
- Pelvic positioner with D-ring straps
- Universal tray
- Flat seat board

### Pressure Relieving Seat Modules (Integral)

- Reflexion™ foam
- Dyna-Tek® Intelligent Air

# Encora

**Product Code:** SEA0511001

**SWL:** 160kg/25 stone

Key to the Encora is the ability to raise and lower the chair to attain the correct seat height for each user. This allows the feet to be positioned firmly on the floor when seated helping to maintain an even weight distribution and assisting the ambulant user to stand from the chair more readily.

The Encora has the ability to easily adjust the tilt-in-space positioning to facilitate ultimate pressure management whilst the independent back recline facility enables the user to attain the most comfortable, relaxed resting position possible. Similarly the legrest can be elevated by either the carer or user by the touch of a small lever on the arm of the chair or by a remote control.

The Encora's Advanced Comfort Backrest, incorporating the highly acclaimed Reflexion™ foam, moulds itself to the contours of the user to help disperse body weight and provides superior comfort and support to the user. Further positioning assistance is provided through the built-in, adjustable lateral supports and lumbar cushioning which underpin the design of the sculpted backrest.



Manual



Powered



Tilt-in-Space



Back Angle Recline



Articulating Legrest



Seat Height Adjustment

## PRODUCT DESCRIPTION

### Features & Benefits

- Tilt-in-space action – Manual or Powered
- Legrest elevation – Manual or Powered
- Back angle recline – Manual or Powered
- Adjustable seat height – enables those who are still ambulant to place feet firmly on the floor
- Adjustable seat length
- Two back style options: Advanced Comfort Backrest with built-in adjustable lateral support or Waterfall backrest
- Pressure relief on all user contact surfaces
- Multi-positioning, integral headrest
- Multi-directional stretch, breathable Dartex material on all user contact surfaces

### Accessories

- Height adjustable flip-up footrest
- Laminated tray with straps
- Cushioned or universal headrest
- Lap-belt with D-ring straps
- Pelvic positioner with D-ring straps

### Pressure Relieving Seat Modules (Integral)

- Reflexion™ foam
- Dyna-Tek® Intelligent Air



# Omega

**Product Code:** SEA0711001

**SWL:** 150kg/23.5 stone

**Comfort and security underpins the Omega, providing a robust, durable chair able to withstand demanding and severe movements yet enable a safe and relaxed seated position.**

A sculpted back and contoured seat ensures optimum comfort and provides good positioning for activities such as eating. Relaxing and sleeping is encouraged by the uniquely linked back and seat recline.

As the back angle reclines, the seat angle increases to guarantee a consistently good seated position without affecting the front seat height.



Manual



Back Angle  
Recline

## PRODUCT DESCRIPTION

### Features & Benefits

- Manual back recline and variable seat angle – as the back reclines, the seat angle increases to enhance comfort and safety
- Pivoting seat at front edge to retain knee to floor height
- Robust, durable frame with modular back, arm and seat components
- Horizontally and vertically sculpted back aiding midline stability
- Two back height options: 740mm or 800mm\*
- Three seat width options: 380mm, 430mm, 510mm\*
- Three seat length options: 430mm, 470mm, 500mm\*
- Supportive Reflexion™ foam legrest (removable)
- Ergonomically positioned push handle
- Available without legrest, if required

### Accessories

- Sliding footrest for use when legrest is removed
- Weighted universal headrest
- Cushioned headrest
- Lap-belt with D-ring straps
- Pelvic positioner with D-ring straps
- Headcap
- Washable loose covers

### Pressure Relieving Seat Modules (Integral)

- Reflexion™ foam
- Dyna-Tek® Intelligent Air



## Stirling

**Product Code:** CH02000

**SWL:** 102kg/16 stone

**The Stirling's degree of seat ramp to back angle recline combines with lateral support to ensure the correct posture and position of the user.**

Elegant simplicity combined with good proportions and attention to detail ensures the Stirling complements many different environments.

## PRODUCT DESCRIPTION

### Features & Benefits

- Elegant, simple design
- Correct positioning and support
- Fixed angle seat and back
- Lateral supports
- Built-in headrest support
- 70mm wheels, braked at rear

### Accessories

- Head supports
- Sliding footrest
- Legrests
- Laminated tray
- Wedges and cushions
- Lap-belt with D-ring straps
- Pelvic positioner with D-ring straps

### Pressure Relieving Seat Modules (Integral)

- Reflexion™ foam

# Wendover Advance

**Product Code:** CH0900000

**SWL:** 158kg/25 stone

The Wendover Advance riser recliner is a contemporary chair designed with simplicity in mind. Available in small, medium and large sizes, this elegant chair accommodates the majority of dimensions to achieve a comfortable seated position that promotes good posture.

Available with Soft/Cushioned Back, Waterfall Back, Lateral Support Back or T-Back to tailor the comfort level to suit individual preferences. The Wendover Advance® can be underpinned by a choice of action depending on your functionality needs; single motor for those who prefer to maintain a seat to back angle while reclining or dual tilt-in-space for the added function of an independent legrest and backrest movement.



Tilt-in-Space



Back Angle Recline



Legrest Elevation



Raise Facility

## PRODUCT DESCRIPTION

### Features & Benefits

- Choice of single or dual tilt-in-space action
- Choice of three sizes: small, medium or large
- Choice of four backrest styles – Soft/Cushioned Back, Waterfall Back, Lateral Support Back or T-Back
- Fixed seat and legrest wrap
- Castors\* for ease of movement
- Wide choice of soft covers, water-resistant, breathable fabrics, vinyl or leather\*\*

### Accessories

- Detachable seat and legrest wrap for ease of cleaning
- Detachable legrest pillow
- Rechargeable battery back-up or AccuPak facility

### Pressure Relieving Seat Modules (Integral)

- Reflexion™ foam

\*Polyurethane Castors (rear lockable) or Non Slip Glides strongly recommended for domestic wooden, laminate of vinyl floors and Rubber Wheels (rear lockable) for healthcare establishments – please specify at time of manufacture. \*\*Vinyl, leather and some soft covers may cause creaking or noise on action chairs.





# Chatsworth Advance

**Product Code:** CH0800000

**SWL:** 158kg/25 stone

**The Chatsworth Advance riser recliner is the ultimate bespoke seating solution. It comes with a range of options to suit your requirements and budget.**

Choose from a single, dual or dual tilt-in-space action, each providing a smooth, effortless rise and recline movement, operated by an easy to use handset. The Chatsworth Advance has the ability to adjust its lift and tilt for the best rising position to suit each user. It is supplied as standard in maximum tilt, lowest lift position but may easily be adjusted to achieve higher flatter lift or very high virtually flat lift upon request. This can be helpful with side transfers into bed or another chair.

The Chatsworth Advance can be tailored to each individual's specification in terms of seat width, height, depth and armrest height to ensure comfort and support when seated and a choice of traditional scrolled or contemporary armrests to match the chair to your own style.



Tilt-in-Space



Back Angle Recline



Legrest Elevation



Raise Facility

## PRODUCT DESCRIPTION

### Features & Benefits

- Single, dual or dual tilt-in-space action
- Standard sizes (small, medium & large) or tailored dimensions
- Choice of four backrest styles – Soft/Cushioned Back, Waterfall Back, Lateral Support Back or T-Back
- Choice of lift and tilt angle on medium and large models
- Fixed seat and legrest wrap
- Castors\* for ease of movement

### Accessories

- Detachable seat and legrest wrap for ease of cleaning
- Detachable legrest pillow
- Rechargeable battery back-up or AccuPak facility

### Pressure Relieving Seat Modules (Integral)

- Reflexion™ foam

\*Polyurethane Castors (rear lockable) or Non Slip Glides strongly recommended for domestic wooden, laminate or vinyl floors and Rubber Wheels (rear lockable) for healthcare establishments – please specify at time of manufacture.

## DIRECT UPHOLSTERY FABRICS

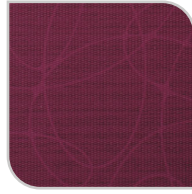
### Vinyl: **Venture** (CH)



Hyacinth



Rose



Mulberry



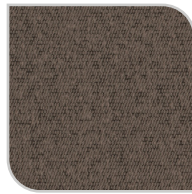
Duck Egg

### Vinyl: **Cadet Trek** (CH)



Indigo

### Vinyl: **Wild Heather** (CH)



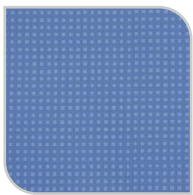
Spey

### Vinyl: **Etch** (CH)

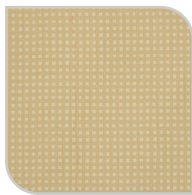


Wedgewood

### Vinyl: **Berkshire** (CH)



Boxford



Fawley



Caversham



Purley

Vinyl: **Enduratex Prairie** (A)



Turtlecreek



Duststorm



Raindance

Vinyl: **Brookland** (A)



Red



Navy



Espresso



Black

Panvelle Stretch: **Spirit** (A)



Blue



Burgundy

Panvelle Stretch: **Monaco** (A)



Black/Chalk



Mulberry



Azure

## LOOSE COVER FABRICS

### Panaz Trevira: **Spirit**

### Panaz Trevira: **Monaco**



Blue



Burgundy



Black/Chalk



Azure

## RISER RECLINER DOMESTIC FABRICS

### **Boucle** (A)



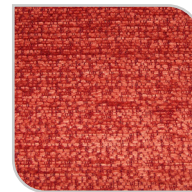
Navy



Berry



Cherry



Rose



Fennel



Manilla



Cream

## Hendon Weave (A)



Rose



Slate



Corn



Sand



Pebble



Linen

## Hendon Stria (A)



Rose



Pebble



Linen

## Portobello Geometric (A)



Evergreen



Earth



Cocoa



Jute



Natural

### Portobello Leaf <sup>(A)</sup>



Evergreen



Rose



Cocoa



Jute



Champagne

### Montana Brushstrokes <sup>(A)</sup>



Cocoa



Oatmeal

### Montana Plain <sup>(A)</sup>



Oatmeal

### Montana Leaf (A)



Oatmeal

### Chartwell Plain (A)



Wine

### Camden Leaf (A)



Wine



Pearl

### Hagen (A)



Cobalt



Silver

### Camden Floral (A)



Oyster

### Chartwell Diamond (A)



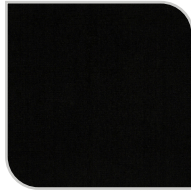
Wine

## DARTEX

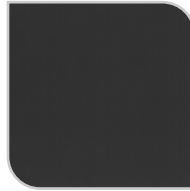
### Dartex



Navy



Black



Graphite

**Vinyl** direct upholstery is a water-resistant, anti-microbial, anti-fungal material suitable for demanding applications. Vinyl is highly recommended for hospital environments.

**Panvelle Stretch** direct upholstery is a unique anti-bacterial fabric that is water-resistant yet breathable and warm to the touch.

**Panaz Trevira** is a loose cover cotton material that can be easily cleaned.

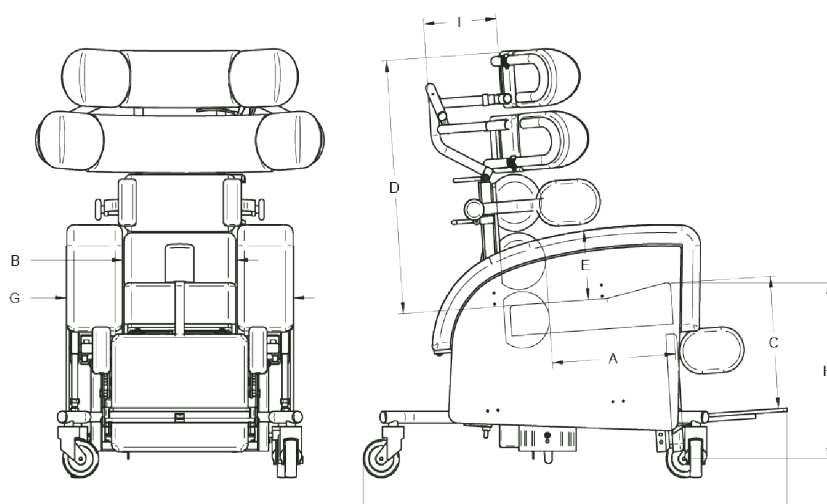
**Dartex** is a strong, multi-stretch, vapour permeable fabric which is simple to wipe clean and complements the pressure relief incorporated into the chair. Dartex comes as standard on contact surfaces.

All materials have been fire tested to BS5852 ignition source 0, 1 and 5. Please note, colours shown are for illustrative purposes only and products may appear different to those shown.



## TECHNICAL SPECIFICATIONS

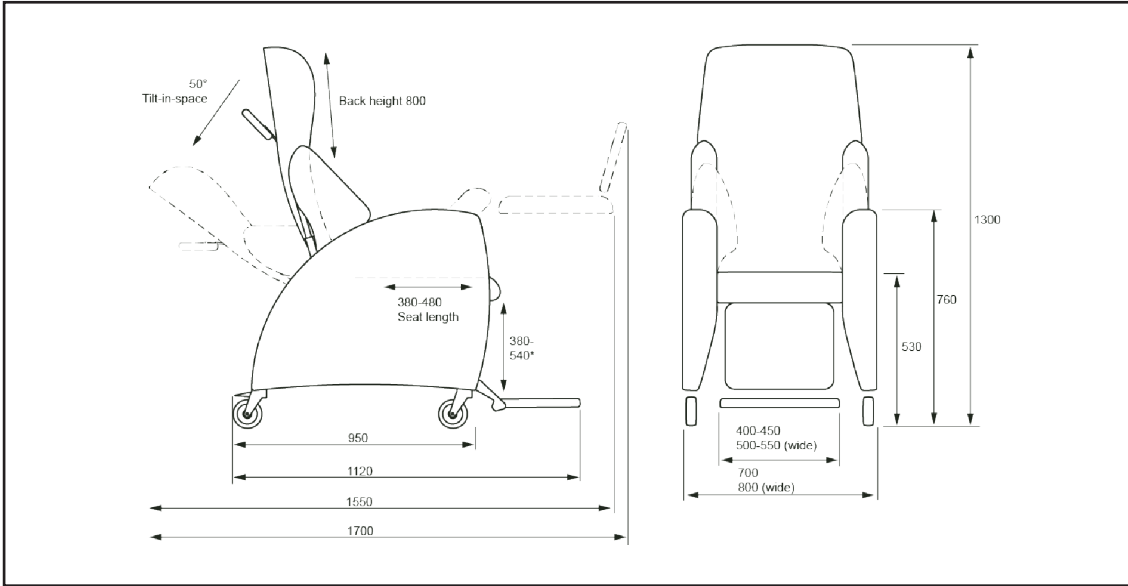
## Duo Major/Minor



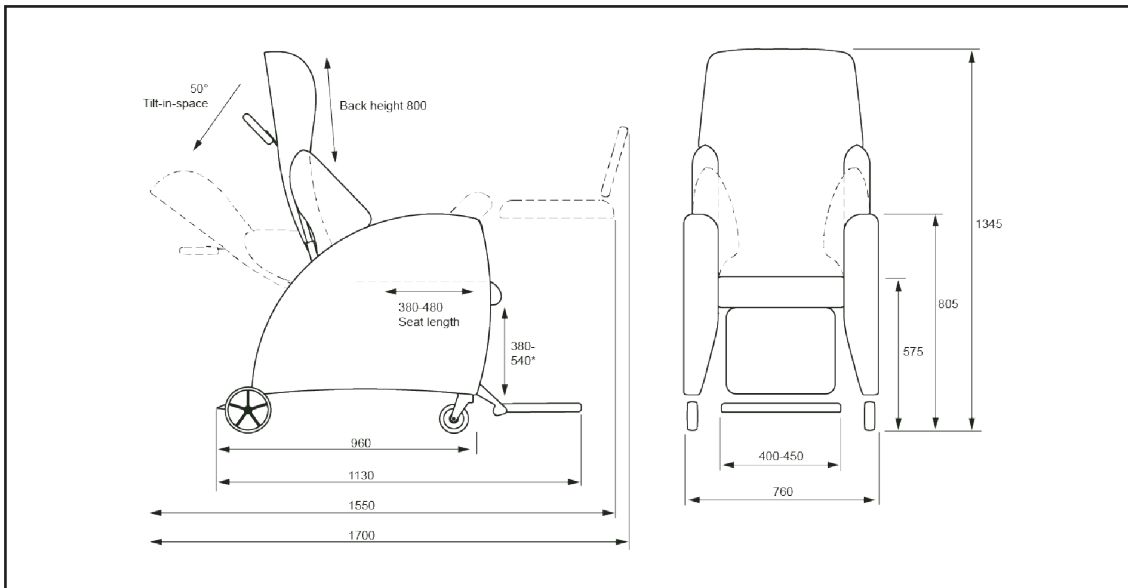
	Major	Minor
<b>A:</b> Seat Length	380-500mm	320-460mm
<b>B:</b> Seat Width	350/400/450/500mm	300/350/400/450mm
<b>C:</b> Seat Height (from footboard)	350-500mm	300-450mm
<b>D:</b> Back Height	670-940mm	610-820mm
<b>E:</b> Arm Height	180-300mm	180-300mm
<b>F:</b> Overall Length	1180mm	1030mm
<b>G:</b> Overall Width	680-830mm	620-770mm
<b>H:</b> Seat Height (from floor)	610-630mm	500-620mm
<b>I:</b> Headrest Depth Adjustment	100mm	80mm
Tilt-in-Space	Horizontal to 35° backwards (28° backwards on manual version) Regulated motion range between 10° and 25°	
Back Recline	90° to 130°	90° to 130°
Negative Legrest Angle	-25°	-25°
Footrest Adjustable Angle	60°, 75°, 90°, 105°, 120°	60°, 75°, 90°, 105°, 120°

# G-2

## Standard Wheel Version

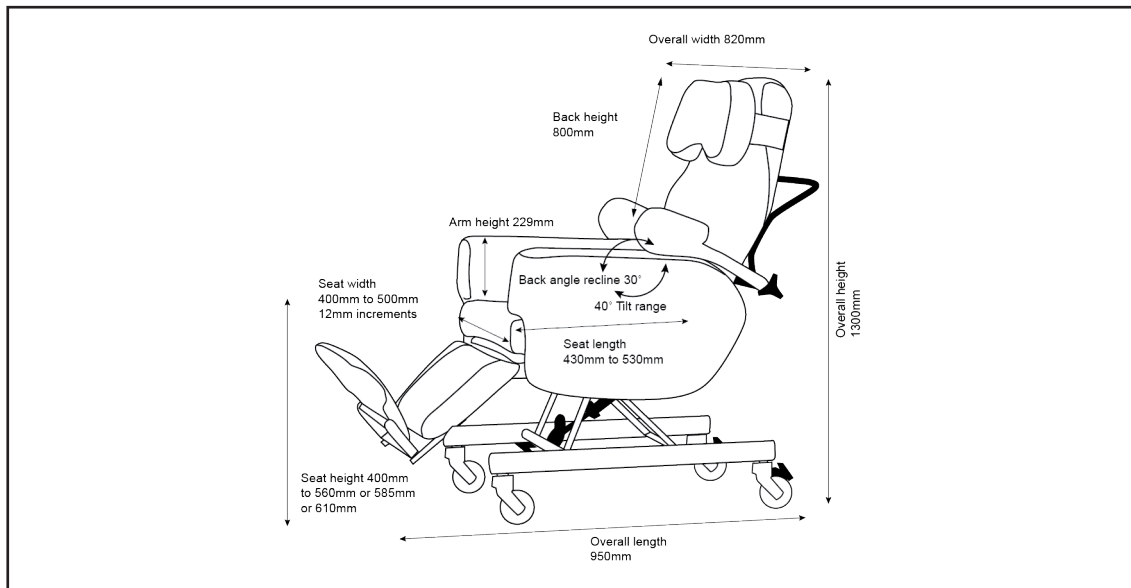


## Large Wheel Version



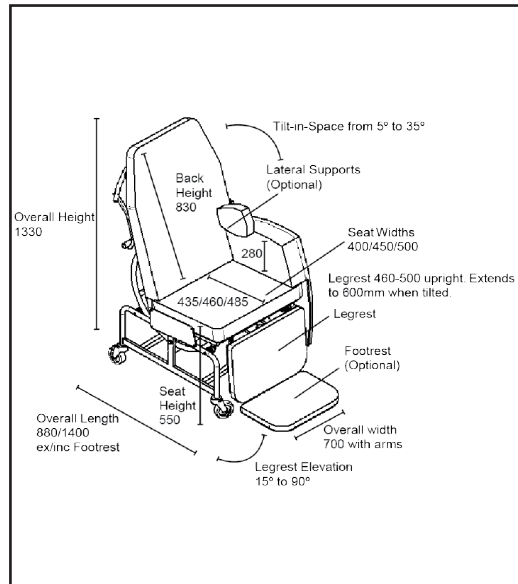
Dimensions in mm

## Florien Elite

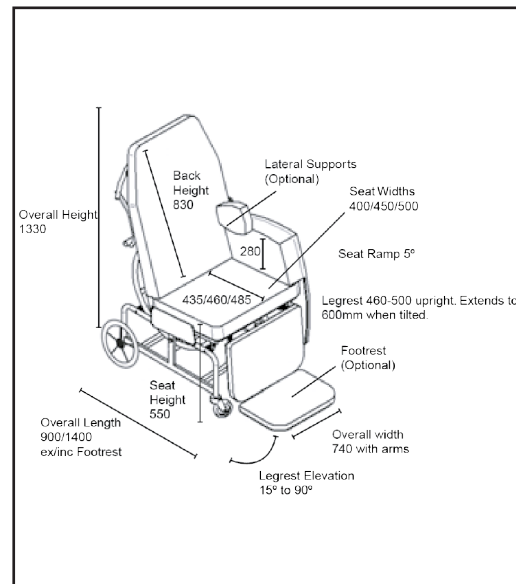


## Florien II & Florian Fife

### Standard Wheel Version

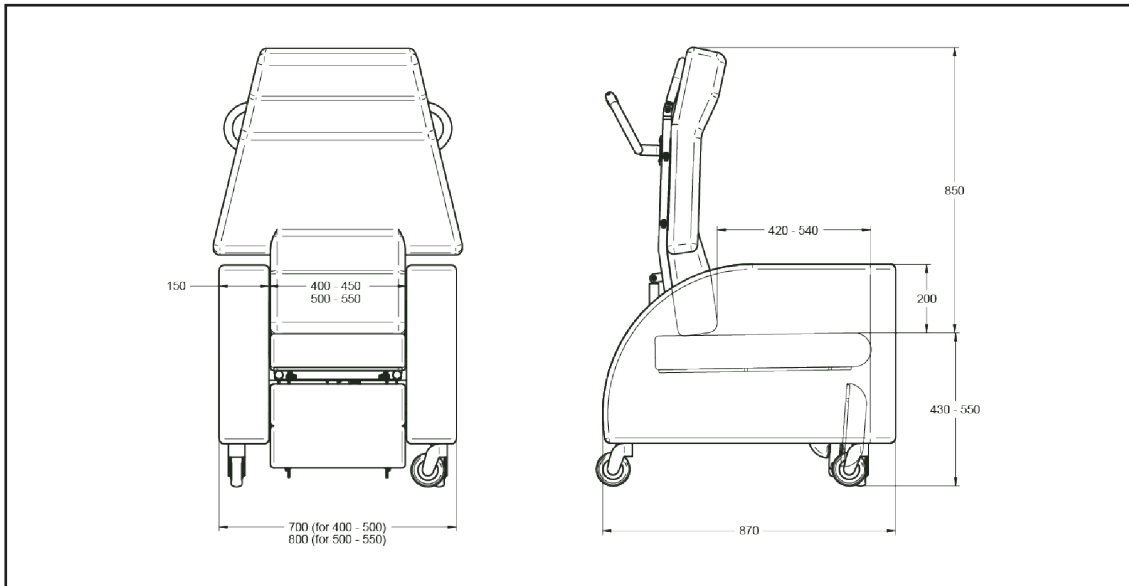


### Large Wheel Version



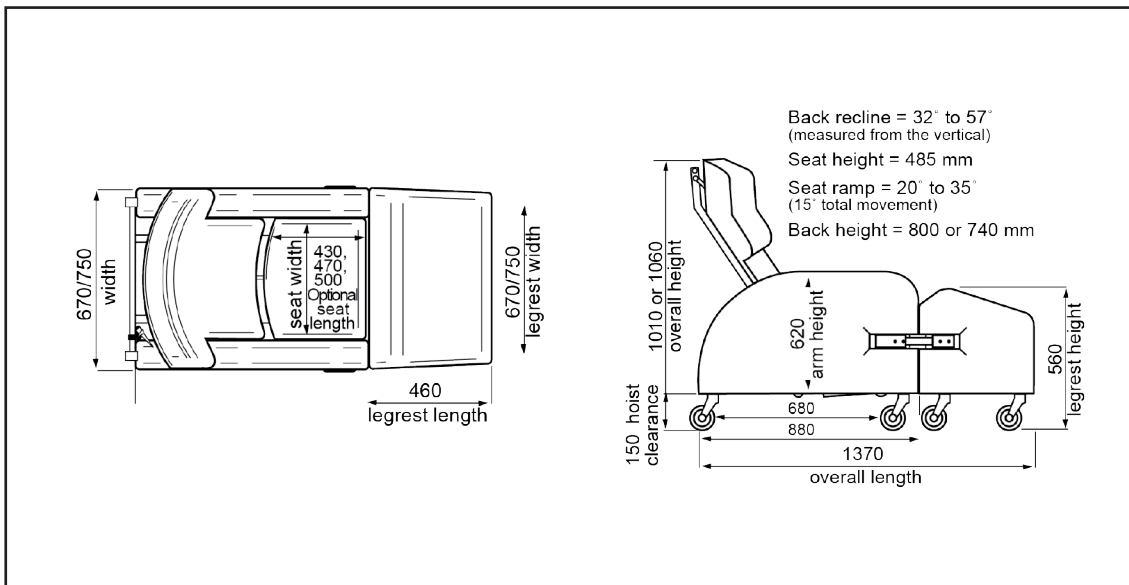
Dimensions in mm

## Encora



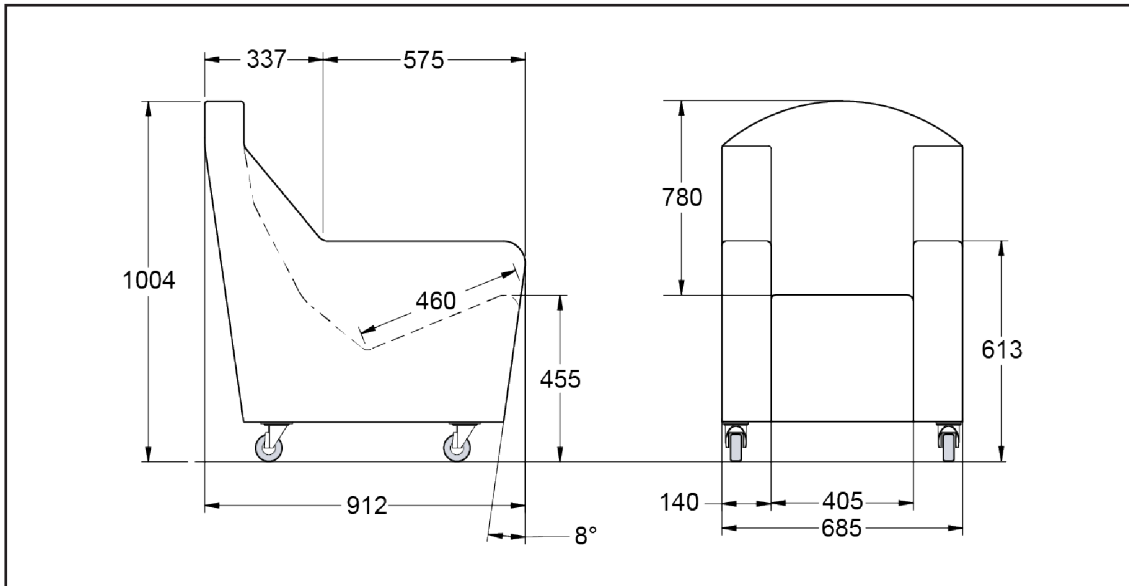
Dimensions in mm

## Omega



Dimensions in mm

## Stirling



Dimensions in mm

## Wendover Advance

	Small	Medium	Large
Seat Height	440mm	470mm	495mm
Seat Width	470mm	520mm	520mm
Seat Depth (Single Motor)	445mm	470mm	495mm
Seat Depth (Dual Tilt-in-Space Motor)	495mm	470mm	495mm
Arm Height	190mm	190mm	190mm
Back Height	650mm	700mm	700mm
SWL	95kg/15 stone	130kg/20 stone	130kg/20 stone
Dynamic Legrest SWL	60kg/9.5 stone	60kg/9.5 stone	60kg/9.5 stone

## Chatsworth Advance

	Small	Medium	Large
Seat Height	440mm	470mm	495mm
Seat Width	470mm	520mm	520mm
Seat Depth (Single Motor)	495mm	470mm	495mm
Seat Depth (Dual Tilt-in-Space Motor)	495mm	470mm	495mm
Arm Height (Single Motor)	190mm	190mm	190mm
Arm Height (Dual Tilt-in-Space Motor)	200mm	200mm	200mm
Back Height	650mm	700mm	700mm
SWL	130kg/20 stone	160kg/25 stone	160kg/25 stone
Dynamic Legrest SWL (Single & Dual Tilt-in-Space Motor)	60kg/9.5 stone	60kg/9.5 stone	60kg/9.5 stone
Dynamic Legrest SWL (Dual Motor)	40kg/6 stone	25kg/4 stone	25kg/4 stone





Moving Health Forward

PRESSURE ULCER PREVENTION

SAFE MOVING & HANDLING

SPECIALIST THERAPIES

BATHROOM SAFETY

RENTAL & SERVICE SOLUTIONS



DHG  
Withey Court, Western Industrial Estate  
Caerphilly, United Kingdom  
CF83 1BF

T: +44 (0) 845 459 9831  
F: +44 (0) 845 459 9832  
E: [info@directhealthcaregroup.com](mailto:info@directhealthcaregroup.com)



LIT-00041 Issue 1  
Date: March 2022

[DHG-HEALTHCARE.COM](http://DHG-HEALTHCARE.COM)